

# VITOPURE

Complete water filtration systems for domestic use



## About VISSMANN

Founded in 1917 in Allendorf, Germany, Viessmann is a fourth-generation family business that is passionate about creating living spaces for generations to come. Now one of the world's leading providers of sustainable climate (heating, cooling, water and air quality) and renewable energy solutions with locations in 74 countries, Viessmann's German heritage and industry leadership have helped build a modern and highly integrated ecosystem

of solutions that emphasize safety, ease of use, high-quality design and durability. An innovation leader offering solutions for both consumer and commercial applications, Viessmann is also strongly invested in sustainable solutions, including the ongoing development of hydrogen technologies that will play a key role in the energy transition towards a net-zero future.



We create living spaces for generations to come.

### Viessmann Group in Figures

**1917**

Viessmann  
was founded

**74**

Countries with agents  
and sales companies

**12**

Countries

More than

**3.4**

Group  
turnover in  
billions of  
euros

**14,500**

Employees  
Worldwide

**56**

Export share  
in percent

**120**

Sales Offices  
Worldwide

Figures based on 2022

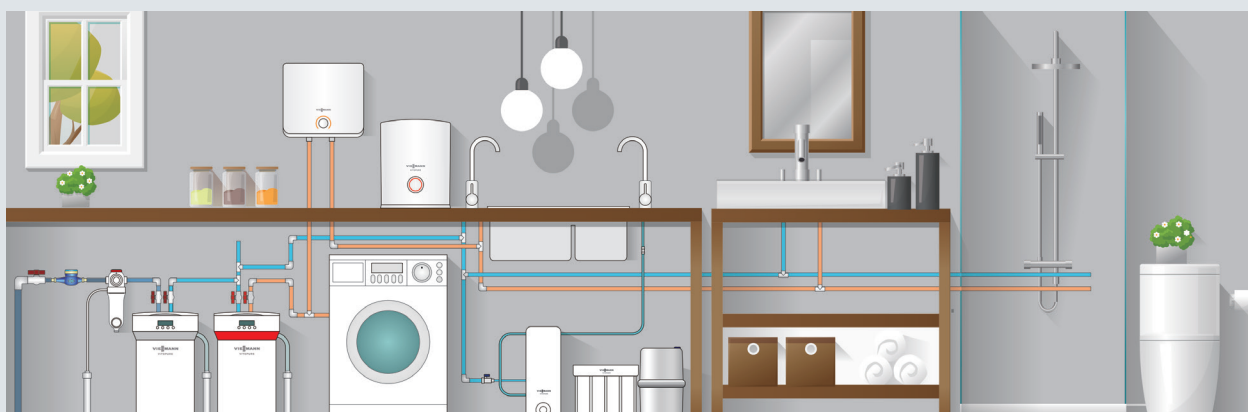
## About VITOPURE

Pure drinking water

Soft water for bathing and laundry

Soft water for water heater

Pure water for cooking



Viessmann Vitopure water filtration products provide a complete solution for your domestic water hygiene and quality: for drinking, washing, cooking and prolonged appliances efficiency.

**Viessmann Vitopure**

**Total water quality control**

Viessmann Vitopure offers a comprehensive range of filter and water purification products to meet every household need, from cleaning to cooking, personal hygiene to drinking water. VITOPURE is specifically designed to provide full protection for your home's water needs: healthy pure drinking water, water-using appliances protection to reduce maintenance costs, family protection from contaminated bathing water, soft hair and skin, and clean laundry water.

## Choose your filters

Viessmann water filters and purifiers are available as stand-alone devices or product combinations for optimum water filtration and softening, Viessmann is not only offering safe and easy basic shower and tap water filters for DIY Installation but also complex filtering systems for your corporate household water.

### Shower and tap water

A basic shower and faucet water filter installation: DIY



Shower and faucet water filter S6

### Household water

Water filtration and softening system for complete household installation: Installer



### Drinking water

Drinking water filtration installation: Installer



## Pre-Filters

### Water filter for household appliance protection

Pre-filters increase lifetime and reduce failure rate for all appliances like dishwashers, washing machines, coffee machines, water heaters or water purifiers. All S1 pre-filters safely and effectively remove dirt, sand, algae and other sediments from the water. They work constantly to protect your hygiene and all your waterusing appliances and sanitary fittings.



VITOPURE S1-B



VITOPURE S1-M

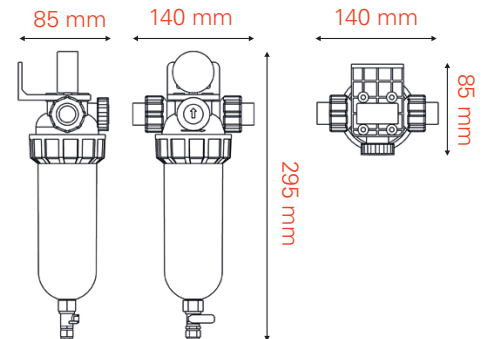


VITOPURE S1-A



## Pre-Filter Vitopure S1-B

Compact size and  
convenient Pre-Filter



### Product Purpose

Pre-filter separates dirt, sand, algae, and other sediment from water, particularly to protect:

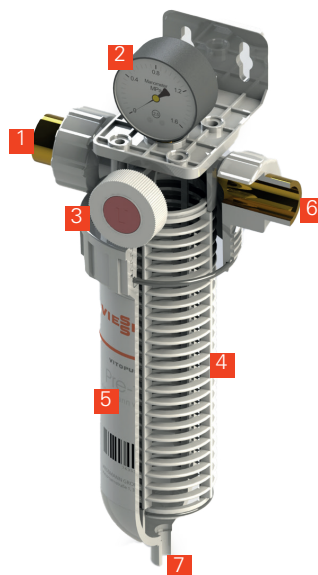
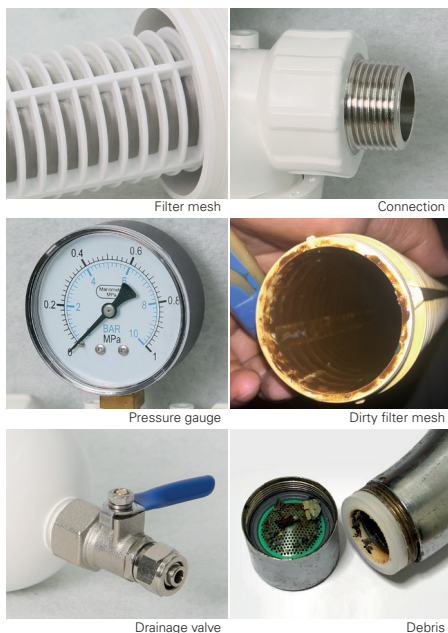
- Dishwasher
- Kettle
- Coffee machine
- Water heaters
- Water faucet, valve, shower, and other fixtures

### Technical Advantage

- Food-grade material, lead-free brass connector, as well as PP and ABS casing
- Stainless steel mesh filter capable of filtering solid dirt and sediment from water supply
- Compact size for easy installation
- Button with visual indicator for easy back-wash flushing

### Filtration Technology

- Suitable size of 100 microns for filtering algae and moss
- No significant reduction in current pressure
- More than 5 years of continuous use
- Easy cleaning compared to filter replacement

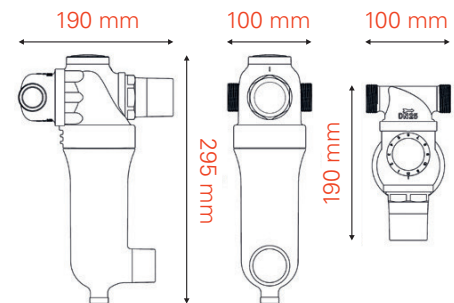


- 1 Water inlet DN20
- 2 Pressure gauge
- 3 Knob
- 4 Filtration mesh
- 5 PP casing
- 6 Water outlet DN20
- 7 Drainage connection DN10

Filtration mesh material	Stainless steel (100µm)
Flow rate	83 liter/min
Working pressure	0.1-1.6 MPa
Inlet/outlet connection	DN20
Drainage pipe connection	DN10
Working temperature	1-39°C
Net Weight	1 kg

## Pre-Filter Vitopure S1-M

Pre-Filter with water pressure stabilization



### Product Purpose

Pre-filter separates dirt, sand, algae, and other sediment from water, particularly to protect water-using appliances and sanitary faucets:

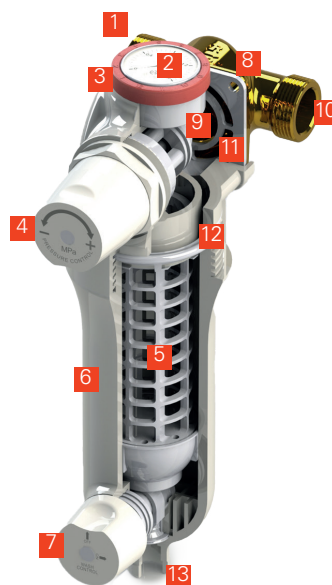
- Washing machine
- Dishwasher
- Kettle
- Coffee machine
- Water heaters
- Water faucet, valve, shower, and other fixtures

### Technical Advantage

- Vitopure S1-M water pressure regulator valve prevents overpressure.
- Stainless steel mesh filter capable of filtering dirt and solid sediment from water supply
- 4-way flange: Flexible and adjustable
- pipeline connection based on water flow direction
- Button with visual indicator for easy back-wash flushing

### Filtration Technology

- Suitable size of 100 microns for filtering algae and moss
- No significant reduction in current pressure
- More than 5 years of continuous use
- Easy cleaning compared to filter replacement

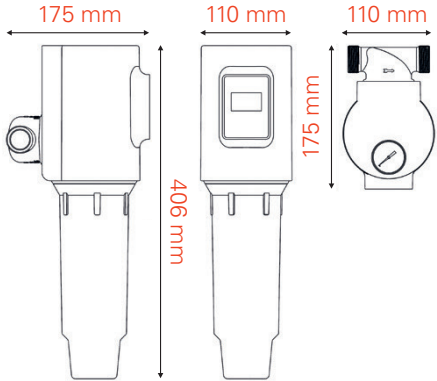


- |                            |                             |
|----------------------------|-----------------------------|
| 1 Water inlet DN20         | 8 4-way flange              |
| 2 Pressure gauge           | 9 Clean water way           |
| 3 Knob                     | 10 Water outlet DN20        |
| 4 Pressure adjustment knob | 11 Inlet water way          |
| 5 Filtration mesh          | 12 Sealing                  |
| 6 PP casing                | 13 Drainage connection Dn10 |
| 7 Drainage knob            |                             |

Filtration mesh material	Stainless steel (100µm)
Flow rate	83 liter/min
Working pressure	0.1-1.6 MPa
Inlet/outlet connection	DN20
Drainage pipe connection	DN10
Working temperature	1-39°C
Net Weight	2.1 kg

**Pre-Filter  
Vitopure S1-A**

**Transparent water pre-filter  
with auto-flushing function**



**Product Highlight**

Pre-filter separates dirt, sand, algae, and other sediment from water, particularly to protect water-using appliances and sanitary faucets:

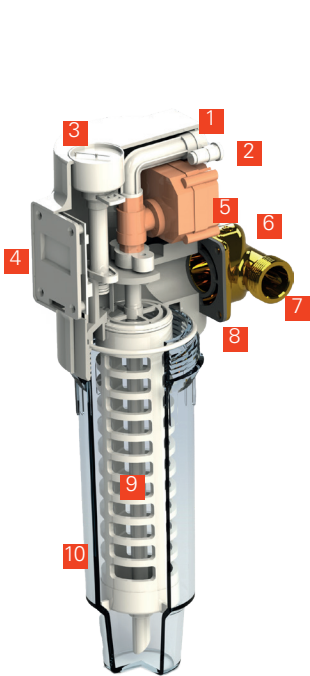
- Washing machine
- Dishwasher
- Kettle
- Coffee machine
- Water heaters
- Water faucet, valve, shower, and other fixtures

**Technical Advantage**

- Automatic rinsing program automatically rinses out accumulated dirt and debris.
- Transparent case for easy dirt monitoring.
- Stainless steel mesh filter capable of filtering dirt and solid sediment from water supply
- 4-way flange: Flexible and adjustable pipeline connection based on water flow direction

**Filtration Technology**

- Suitable size of 100 microns for filtering algae and moss
- No significant flow pressure reduction
- More than 5 years of continuous use
- Easy cleaning compared to filter replacement



- 1 Drainage connection DN10
- 2 Power plug
- 3 Pressure gauge
- 4 Controller
- 5 Electronic ball valve
- 6 4-way flange
- 7 Outlet connection DN20
- 8 Inlet water way
- 9 Filtration mesh
- 10 PP casing

Filtration mesh material	Stainless steel (100µm)
Flow rate	83 liter/min
Working pressure	0.1-1.6 MPa
Inlet/outlet connection	DN20
Drainage pipe connection	DN10
Working temperature	1-39°C
Power input	AC 100-240V 50/60Hz
Power output	DC 6V-1000mA
Net weight	2.7 kg



## Central Water Purifiers

### Better water quality for cooking, bathing and cleaning

Viessmann is offering two solutions for central water purification in your whole home: the electric S2 purifier is most suitable if incoming water is very contaminated and electricity is available for purification purposes. When you cannot install an electric purifier, the non-electric S5 purifier will be another option to clean your water. Supported by electricity, S2 filters are available at high capacities. S5 purifiers are installed under the sink so that kitchen space is not blocked by the filter.

VITOPURE S2 central filters are equipped with two filters: the KDF filter and a coconut shell activated carbon filter. The result: extensive water cleaning, filtering sediments, chlorine, virus and bacteria, and heavy metals. At the same time, the filters remove bad odor and chlorine.

S5 water purifiers are available in three different variants which differ in the number of filter stages ranging from two up to four stage filtration. All S5 variants are using the PP fiber and the coconut carbon filter. 3-stage filtration includes a compressed activated carbon filter while 4-stage filtration adds on an activated carbon filter with scale inhibition. Altogether, the filters remove sediments, chlorine, calcium as well as odor and color.



VITOPURE S2-2T

VITOPURE S2-3T

VITOPURE S5 Series



## VITOPURE I Central Water Purifiers S2-2T,S2-3T

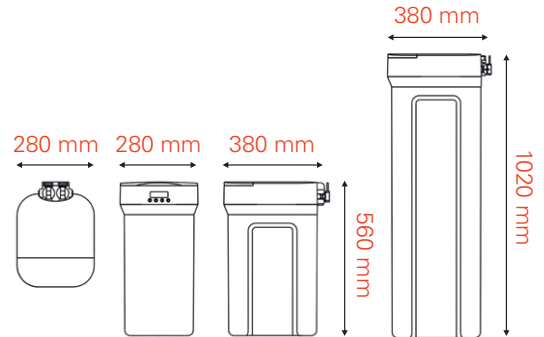
### Central Water Purifier Vitopure S2-2T, S2-3T

Whole house water purification



VITOPURE S2-2T

VITOPURE S2-3T



#### Product Highlight

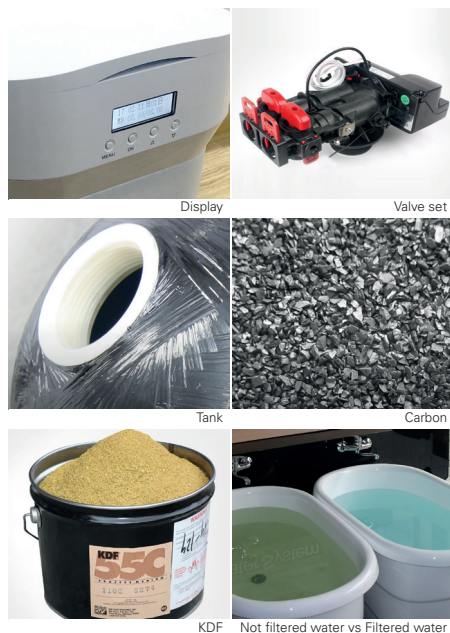
- The following substances will be removed from water:
  - Heavy metal
  - Chlorine
  - Color and odor
  - Virus, Bacteria

#### Technical Advantage

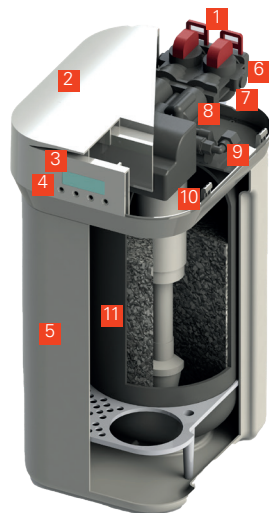
- Clean tap water. Central water purifier provides cleaner water for cooking, cleaning, bathing, and other uses.
- Automatic Program: Filtering, cleaning, and flushing functions can be set to run automatically based on flow rate or time.
- Long-lasting filter: Filter located inside the device can be washed automatically on a regular basis, there is no need for frequent filter changes.
- Available capacity: 33 Liter/min and 50 Liter/min
- Compact size: Installation requires less space.

#### Filtration Technology

- KDF (Kinetic Degradation Fluxion) removes heavy metal and prevents microorganism growth: KDF is a pure copper-zinc substance that can reduce heavy metal in water through electrochemical processes. KDF has the ability to prevent microorganism growth in water through direct contact and the formation of hydroxyl radicals and hydroxyl peroxide.
- Coconut shell activated carbon removes color, odor, and chlorine. The difference between coconut shell activated carbon and other types of activated carbon is that almost 90% of coconut shell activated carbon surface area is filled with micro pores. As a result, there is more direct surface area in contact with the water, allowing more harmful elements to be absorbed. Coconut shell is also a renewable carbon source.



KDF Not filtered water vs Filtered water



- 1 Water outlet DN20
- 2 Cover
- 3 Display
- 4 Operation buttons
- 5 Barrel
- 6 Water inlet DN20
- 7 Bypass
- 8 Drainage
- 9 Valve set
- 10 Controller
- 11 Filter tank

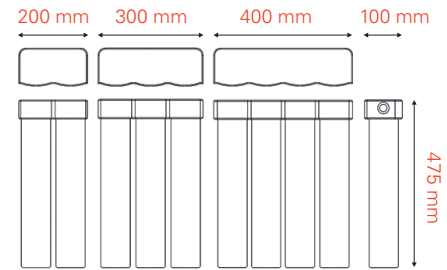
Filter	Coconut shell activated carbon, KDF
Flow rate	33 Liter/min, 50 Liter/min
Working pressure	0.1-0.65MPa
Inlet/outlet connection	DN20
Drainage pipe connection	DN15
Working temperature	1-39°C
Power input	AC 220-240V, 50/60Hz
Power output	DC12V-650mA
Net weight	14 kg (S2-2T), 24 kg (S2-3T)

**Central Water Purifier  
Vitopure S5-D,  
S5-T, S5-Q**

**2 to 4 stage filtration  
compact non electric  
central water purifier**



VITOPURE S5-D      VITOPURE S5-T      VITOPURE S5-Q



**Product Purpose**

- 2-4 stages of filtration remove contamination, odor, and color, resulting in clean water that flows from the tap. This non-electric type, with its large filter, ensures that it is easy to use and safe for extended periods of time.

**Technical Advantage**

- Does not rely on electricity
- Long-lasting large filter
- Easy installation under the sink
- Suitable for domestic and light commercial use

**Filtration Technology**

- PP fiber remove sediments and particles from water
- Compressed activated carbon removes odor, color, and chlorine from water. Large filter size ensures longer use.
- Coconut shell activated carbon removes color, odor, and chlorine. The difference between coconut shell activated carbon and other types of activated carbon is that almost 90% of coconut shell activated carbon surface area is filled with micro pores. As a result, there is more direct surface area in contact with the water, allowing more harmful elements to be absorbed. Coconut shell is also a renewable carbon source.



- 1 PP filter
- 2 Coconut shell activated carbon filter
- 3 Compressed activated carbon filter
- 4 Activated carbon with scale inhibitor

Filter Vitopure S5-D	PP fiber, Coconut shell activated carbon filter
Filter Vitopure S5-T	PP fiber, Coconut shell carbon filter, Compressed activated carbon filter
Filter Vitopure S5-Q	PP fiber, Coconut shell activated carbon filter, Compressed activated carbon filter, Activated carbon with scale inhibitor
Flow rate	83 Liter/min
Working pressure	0.1-0.65MPa
Inlet/outlet connection	DN20
Working temperature	1-39°C
Net weight	2.85 kg (S5-D), 4.3 kg (S5-T), 6.5 kg (S5-Q)

## Central Softeners

### Soft water throughout your home

Viessmann S3 filters soften your domestic water by extracting minerals like calcium or magnesium to prevent limescale and to increase the lifetime of your water-using appliance. At the same time, soft water is ideal for hair and skin care.

Viessmann water softeners work through a process called ion exchange which eliminates minerals like calcium and magnesium from the water. Resin neutralizes the minerals. Given its smooth surface, it makes water softeners run efficiently for a long time. Adding salt to the purifier enables the regeneration of resin – minerals are flushed away with waste water.



VITOPURE S3-2T



VITOPURE S3-3T



**Central Water Softener Vitopure S3-2T, S3-3T**

**Whole house water softening and appliances protection**



**Product Highlight**

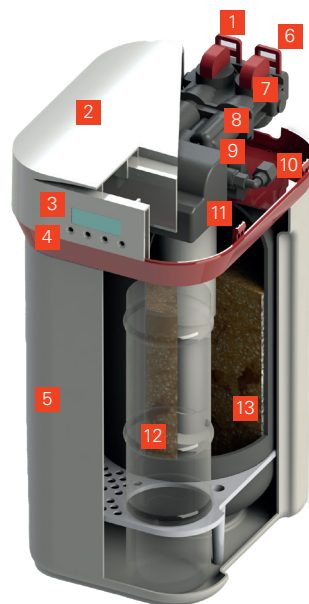
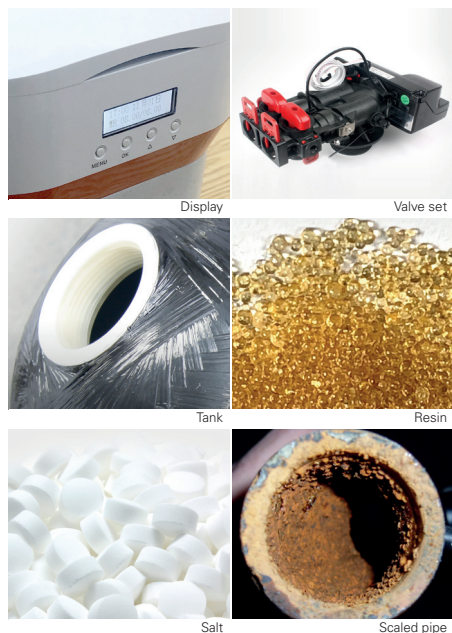
- Central water softener produces water with the following benefits:
  - Soft clothing and towel
  - Soft skin after showering
  - Smooth hair
  - Shiny, spotless dishes
  - Water-using appliances operate more efficiently when there are no traces of limescale.

**Technical Advantage**

- Auto program: Water softener program can be set with rinse cycle and rinse times to filter, clean and flush out dirt.
- Available capacity: 33 Liter/min and 50 Liter/min
- Easy to add salt.
- Wet salt process reduces resin regeneration time to 40 minutes.

**Filtration Technology**

- Physically and chemically stable resin extends product life
- Resin smooth surface can maintain long-term efficiency with low level of damage
- Salt with a >99,8% NaCl ensures an efficient and quick regeneration process.



- 1 Water outlet DN20
- 2 Cover
- 3 Display
- 4 Operation buttons
- 5 Barrel
- 6 Water inlet DN20
- 7 Bypass
- 8 Drainage
- 9 Valve set
- 10 Salt absorption
- 11 Controller
- 12 Salt tank
- 13 Resin tank

Filter	Resin
Flow rate	33 Liter/min, 50 Liter/min
Working pressure	0.1-0.65MPa
Inlet/outlet connection	DN20
Drainage pipe connection	DN15
Working temperature	1-39°C
Power input	AC 220-240V, 50/60Hz
Power output	DC12V-650mA
Net weight	16 kg (S3-2T), 27 kg (S3-3T)

## Drinking Water Filters

### Potable water from your tap

With the help of a multi-stage filtration system, Viessmann water purifiers make your tap water drinkable. Our potable water purifiers completely remove any kind of sediments, bacteria and virus as well as odor and color. All drinking water filters are equipped with a water tap for easy bottling.



VITOPURE S4 Series

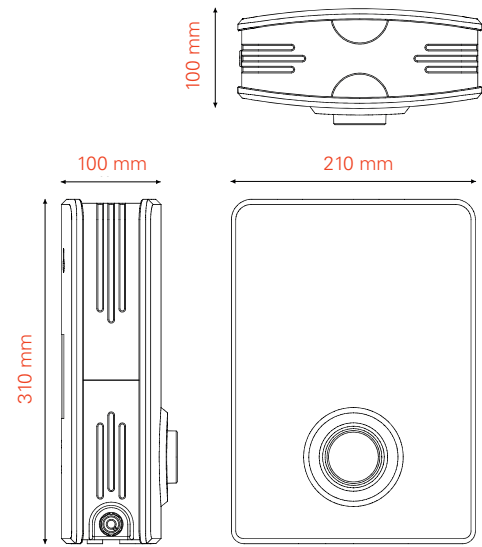
S4-RO-800G

S4-RO-U



**Water Purifier Vitopure S4-B**

2-stage filters water purifier



**Product Purpose**

- Vitopure S4-B is a two-stage filtration water purification solution. Bacteria, chlorine, heavy metal, odor, and other contaminants can all be removed from water. Filter size is accurate to 0.01µm.

**Technical Advantage**

- Easiest way to obtain healthier water
- High-fiber HFM filter
- Flow meter can be programmed to automatically shut water flow at the end of the product's life.
- Easy installation and convenient connection fittings
- Installation options include on the wall, under the sink, and above the counter.
- This product does not require electricity, it can be installed anywhere.

**Filtration Technology**

- Hollow Fiber Membrane operates on the tube and capillary configuration principle. The filter's accuracy reaches 0.01µm, separating viruses and bacteria from water.
- PP fibers remove solid water contaminants such as insect eggs and algae.



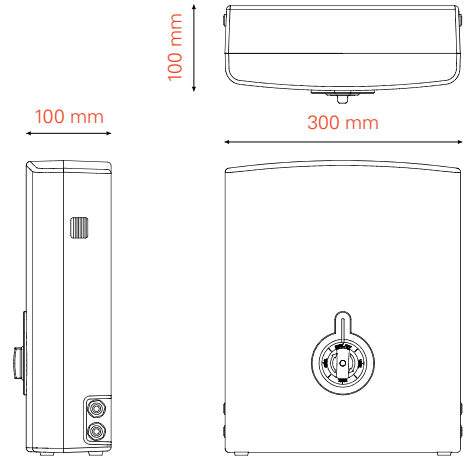
- 1 Front cover
- 2 PP fiber
- 3 Hollow fiber membrane

Filter	PP fiber, Hollow fiber membrane
Flow rate	1.2 l/min
Working pressure	0.1-0.65MPa
Inlet/outlet connection	DN8
Working temperature	1-39°C
Net weight	2.8 kg

## VITOPURE I Drinking Water Filters S4-C

### Water Purifier Vitopure S4-C

#### 3-stage filters water purifier



#### Product Purpose

- Vitopure S4-C is a three-stage filtration water purification solution. Bacteria, excess chlorine, heavy metal, odor, and other contaminants can all be removed from water.

#### Technical Advantage

- Easiest way to obtain healthier water
- Diatomite ceramic filters can be cleaned to improve its efficiency.
- KDF and activated carbon filters can prevent virus growth and improve water taste.
- Water flow can be adjusted based on water quality to maintain product life.
- Easy installation and convenient connection fittings
- Installation options include on the wall, under the sink, and above the counter.
- This product does not require electricity, it can be installed anywhere.

#### Filtration Technology

- Diatomite ceramic filters have an accuracy range of 0.1 and 0.5  $\mu\text{m}$ . Particles larger than this will be separated. There is no need to replace the filters; they only need to be washed.
- KDF (Kinetic Degradation Fluxion) removes heavy metals and prevents microorganism growth: KDF is a pure copper-zinc substance that can reduce heavy metals in water through electrochemical processes. KDF has the ability to prevent microorganism growth in water through direct contact and the formation of hydroxyl radicals and hydroxyl peroxide.
- Compressed activated carbon: Activated carbon removes odor, color, and chlorine from water. Larger filter size ensures longer use.



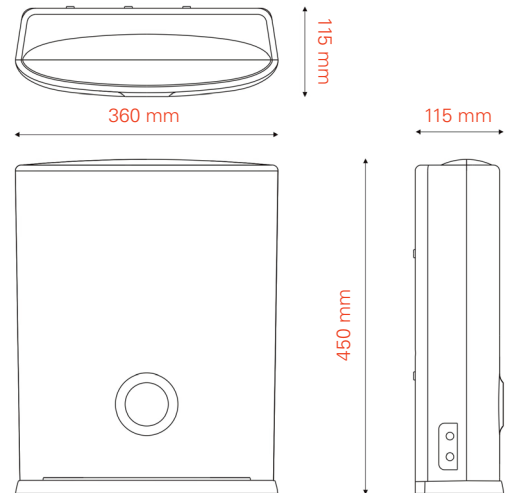
- 1 Front cover
- 2 Diatomite ceramics filter
- 3 Compound filter
- 4 Compressed activated carbon filter

Filter	Diatomite ceramic Compound filter Compressed activated carbon
Flow rate	1.2 l/min
Working pressure	0.1-0.65MPa
Inlet/outlet connection	DN8
Working temperature	1-39°C
Net weight	4.0 kg



Water Purifier  
Vitopure S4-D

4-stage filters water purifier



Product Purpose

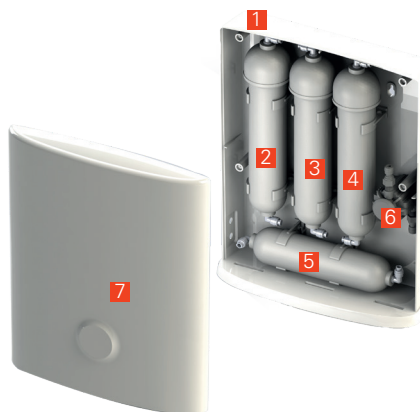
- Vitopure S4-D is a four-stage filtration water purification solution. Bacteria, chlorine, heavy metal, odor, and other contaminants can all be removed from water.

Technical Advantage

- Four stages of filtration produce safe water.
- Diatomite ceramic filters can be cleaned to improve its efficiency.
- Water flow can be adjusted based on water quality to maintain product life.
- Easy installation and convenient connection fittings
- Installation options include on the wall, under the sink, and above the counter.
- This product does not require electricity, it can be installed anywhere.

Filtration Technology

- Diatomite ceramic filters have an accuracy range of 0.1 and 0.5  $\mu\text{m}$ . Particles larger than this will be separated. There is no need to replace the filters; they only need to be washed.
- KDF (Kinetic Degradation Fluxion) removes heavy metals and prevents microorganism growth: KDF is a pure copper-zinc substance that can reduce heavy metals in water through electrochemical processes. KDF has the ability to prevent microorganism growth in water through direct contact and the formation of hydroxyl radicals and hydroxyl peroxide.
- Compressed activated carbon: Activated carbon removes odor, color, and chlorine from water. Larger filter size ensures longer use.
- PP fiber: Resist solid water contamination such as insect eggs and algae.



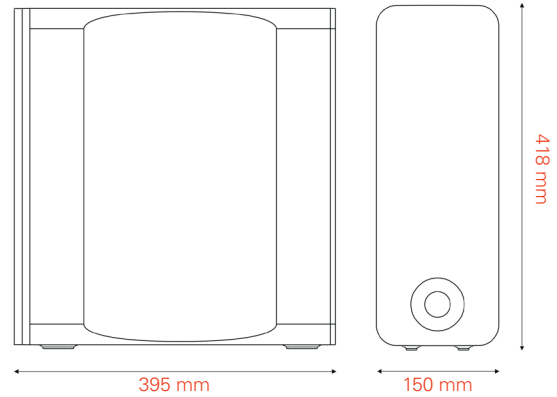
- 1 Back cover
- 2 Diatomite ceramics filter
- 3 Compound filter
- 4 Compressed activated carbon filter
- 5 PP filter
- 6 Flow meter
- 7 Front cover

Filter	PP fiber Diatomite ceramic Compound filter Compressed activated carbon
Flow rate	3.0 l/min
Working pressure	0.1-0.65MPa
Inlet/outlet connection	DN8
Working temperature	1-39°C
Net weight	5.6 kg

## VITOPURE I Drinking Water Filters S4-RO-800G

### Water Purifier Vitopure S4-RO-800G

Reverse osmosis 3 Stage  
filters drinking water purifier



#### Product Purpose

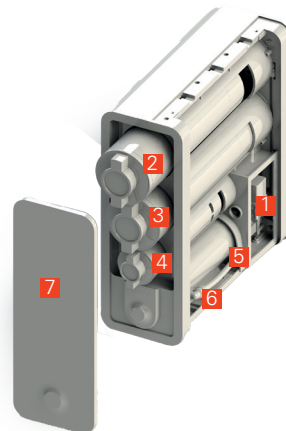
- The Vitopure S4-RO-800G module has three stages of filtration to remove viruses, bacteria, microorganisms, heavy metal, odor, and other chemical contaminants. Filtration accuracy of up to 0.0001 μm.

#### Technical Advantage

- RO (Reverse Osmosis) technology provides the highest level of water purification.
- 3000 liters daily capacity and 2 liters per minute water discharge rate.
- Neat design and does not take up much space on a table
- Connection is automatically disconnected during a filter change. All that is required is to pull and push.
- Easy installation and convenient connection fittings
- Magnetic cover, making it simple to open and close when changing filter.

#### Filtration Technology

- RO (Reverse Osmosis) filter with an accuracy of up to 0.0001 μm separates >95% of contamination from water. Simultaneously, the water cluster shrinks, which is beneficial to the digestive system.
- Carbon fiber compound filter: Filter structure expands when it comes into contact with water. Sand, silt, and other solids removed from water.
- Compressed activated carbon: Activated carbon removes odor, color, and chlorine from water. Larger filter size ensures longer use.

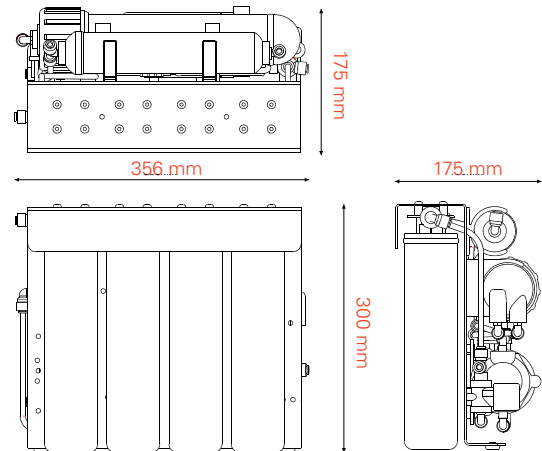


- 1 Electrical valve
- 2 RO filter
- 3 Compound filter (PP+Activated carbon)
- 4 Compressed activated carbon
- 5 PE water pipe
- 6 Quick connection fitting
- 7 Touch switch area

Filter	RO filter Compound filter Compressed activated carbon
Flow rate	2.2 l/min
Working pressure	0.1-0.65MPa
Inlet/outlet connection	DN10/DN8
Drainage pipe	DN8
Working temperature	1-39°C
Power input	AC100-240V, 50/60Hz
Power output	DC6V-1000mA
Net weight	13.0 Kg

**Water Purifier  
Vitopure  
S4-RO-U**

**Reverse osmosis 6-stage filters  
undersink drinking water purifier**



**Product Purpose**

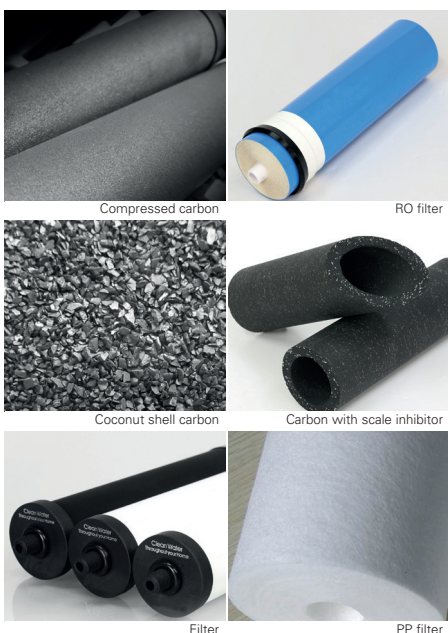
- Reverse Osmosis membranes can filter almost all molecules larger than water. Water dirt will be separated after passing through the six filtration stages of Vitopure S4-RO-U. Water will be stored in the tank to ensure that clean water is always available for you and your family.

**Technical Advantage**

- 6 stages of filtration with RO technology to produce healthier, better-tasting water.
- Water tank to ensure clean water is available at all times.
- Easy installation

**Filtration Technology**

- RO (Reverse Osmosis) filter with an accuracy of up to 0.0001µm separates >95% of contamination from water. Simultaneously, the water cluster shrinks, which is beneficial to the digestive system.
- Compressed activated carbon: Activated carbon removes odor, color, and chlorine from water. Larger filter size ensures longer use.
- Coconut shell activated carbon removes color, odor, and chlorine. The difference between coconut shell activated carbon and other types of activated carbon is that almost 90% of coconut shell activated carbon surface area is filled with micro pores. As a result, there is more direct surface area in contact with the water, allowing more harmful elements to be absorbed. Coconut shell is also a renewable carbon source.



- 1 PP filter
- 2 Coconut shell activated carbon filter
- 3 Compressed activated carbon filter
- 4 Activated carbon with scale inhibitor filter
- 5 Compressed activated carbon
- 6 RO filter

Filter	PP fiber, Coconut shell activated carbon, Compressed activated carbon, Activated carbon with scale inhibitor, RO membrane, Compressed activated carbon
Flow rate	2.2 l/min
Working pressure	0.1-0.65MPa
Inlet/outlet connection	DN8
Drainage pipe	DN8
Working temperature	1-39°C
Power input	AC100-240V, 50/60Hz
Power output	DC6V-1000mA
Net weight	12.5 kg

## Shower / Faucet Water Filters

### Better personal hygiene

The Viessmann shower filter S6-S and the tap water filter S6-T are designed to filter sediments and chlorine before the water makes contact with your skin. The efficient compound filter also removes unpleasant odor and color, thus ensuring hygienic and clean sanitation. The device can be easily self-installed and maintained.



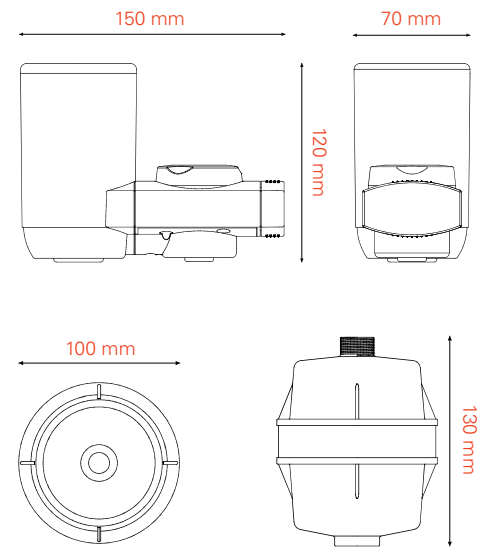
VITOPURE S6 Series

### Compound filter: coconut shell activated carbon filter

Compound filters consist of a combination of two or more filter materials enclosed in a single structure, providing more filtration benefits in a compact shape. S6 shower and tap filter are equipped with a coconut shell activated carbon filter.



Shower /  
Faucet  
Filter  
Vitopure S6



**Product Purpose**

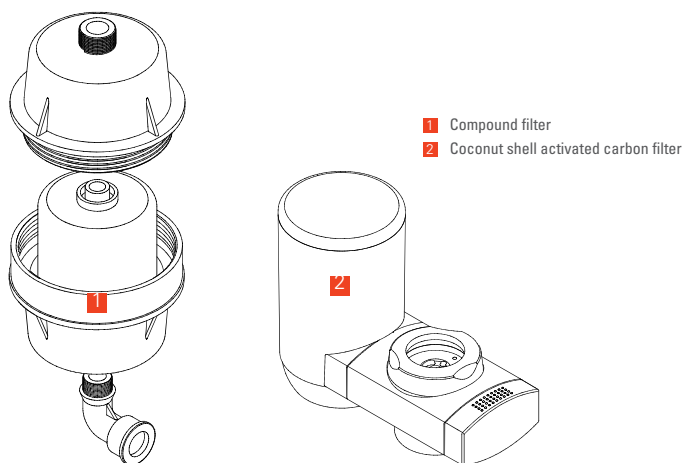
- Vitopure S6-S is the most convenient and cost-effective shower filter for protecting yourself and your family from chlorine.
- Easy-to-install Vitopure S6-T tap filter removes sediment and chlorine, ensuring hygienic and clean water for washing and cooking.

**Technical Advantage**

- Effective, easy, and simple way for water cleaning
- Remove excess chlorine and odor from water
- Easy filter installation and replacement
- Safe material

**Filtration Technology**

- Filter compound with scale inhibitor can reduce lime on your skin. The difference between coconut shell activated carbon and other types of activated carbon is that almost 90% of coconut shell activated carbon surface area is filled with micro pores. As a result, there is more direct surface area in contact with the water, allowing more harmful elements to be absorbed. Coconut shell is also a renewable carbon source.



Filter	Coconut shell activated carbon filter
Flow rate	83 Liter/min
Working pressure	0.15-0.65MPa
Inlet/outlet connection	DN20
Working temperature	1-39°C
Net weight	0.9 kg

Filter	Compound filter
Flow rate	83 Liter/min
Working pressure	0.15-0.65MPa
Inlet/outlet connection	DN20
Working temperature	1-39°C
Net weight	0.4 kg

## VITOPURE Solutions

**Viessmann Vitopure Filtration System**  
Complete water purification solution for your family



### Vitopure S1 + S2

- Clean water
- Health protection
- Safe household appliances



### Vitopure S1 + S2 + S3

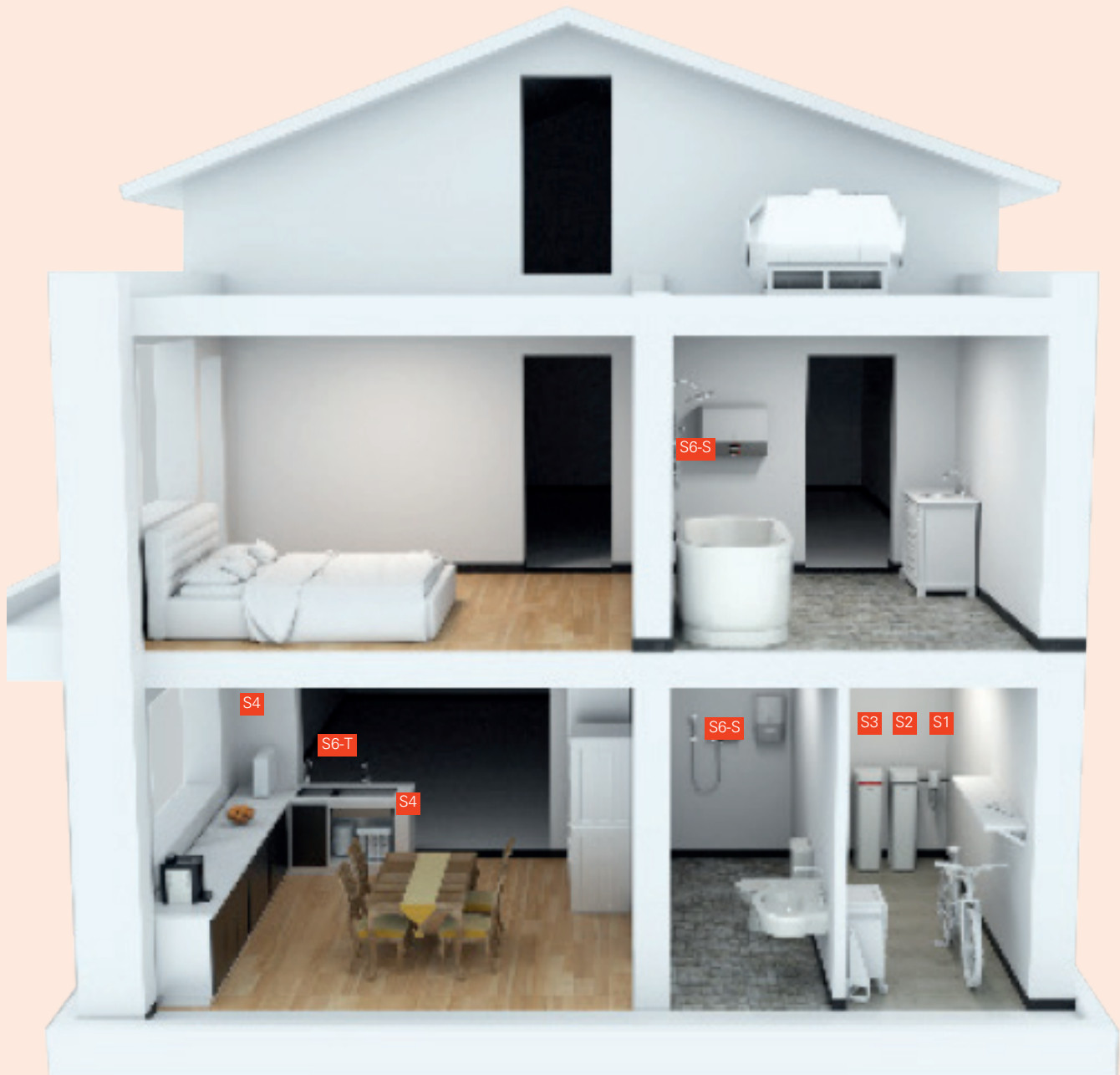
- Clean, soft water
- Health protection
- Safe household appliances
- Skin and hair protection



### Vitopure S1 + S2 + S4

- Clean drinkable water
- Health protection
- Safe household appliances

## Vitopure products allow you to get water treatments according to your needs





VISSMANN GROUP

Viessmannstraße 1, 35108 Allendorf (Eder) Germany

Viessmann Regional Headquarters,  
South East Asia and Oceania  
25 International Business Park  
German Centre #04-01/02  
609916 Singapore  
Phone: +65 69708411  
**E-mail: [service@viessmann.sg](mailto:service@viessmann.sg)**